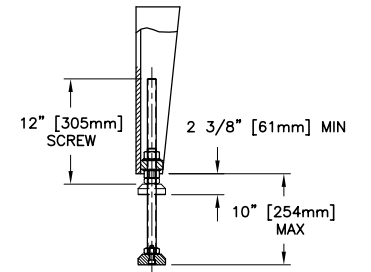
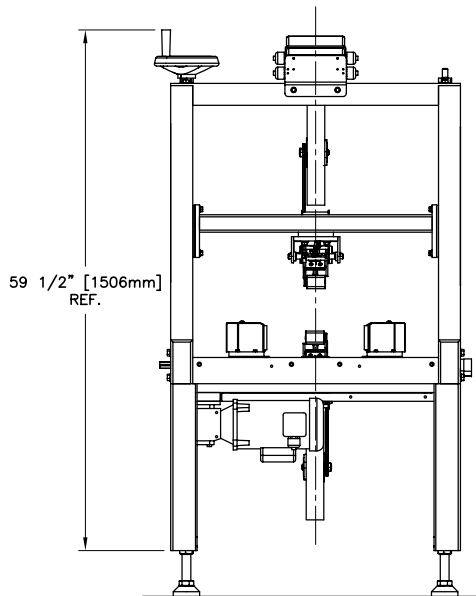


LEG EXTENSION OPTIONS

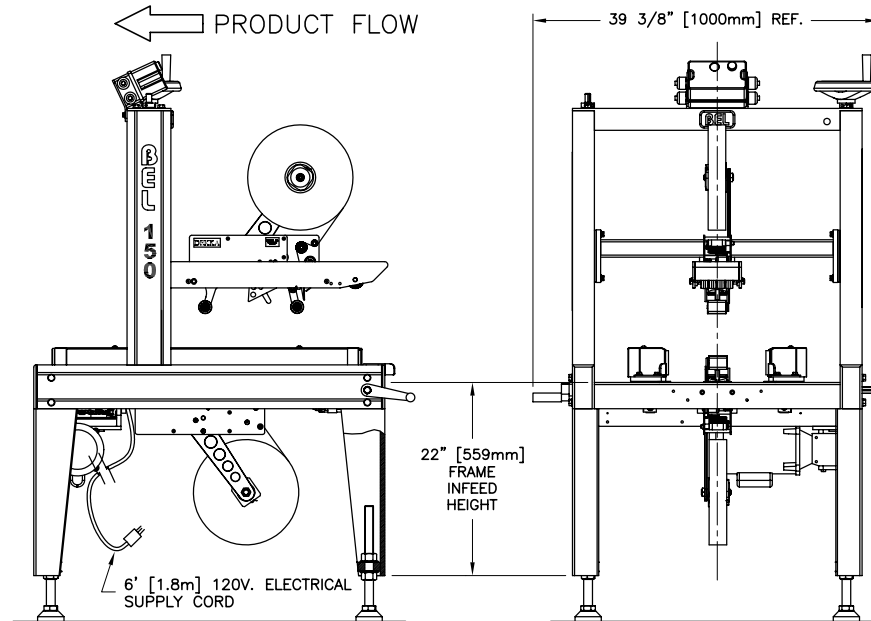


UHMW PAD (STD.)  
IN/OUTFEED HEIGHT ADJUSTMENT RANGE  
24-3/8" [619mm] MIN. TO 32" [813mm] MAX.

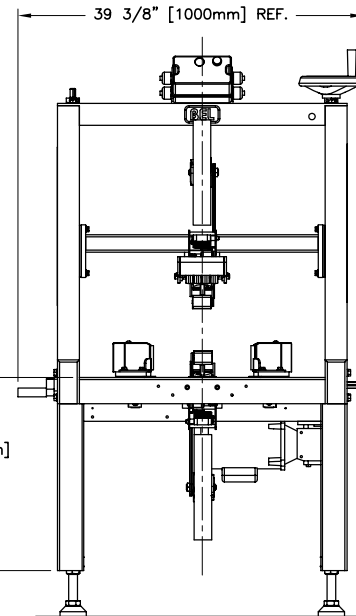


OUTFEED END VIEW

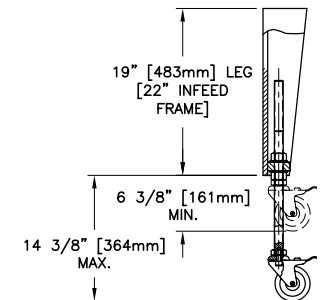
← PRODUCT FLOW



LEFT SIDE VIEW



INFEED END VIEW



LOCKING CASTERS (70-004)  
IN/OUTFEED HEIGHT ADJUSTMENT RANGE  
28-3/8" [721mm] MIN. TO 38-3/8" [975mm] MAX.

REV	DESCRIPTION	DATE	APPROVED
04	UPDATE VIEWS	04-04-20	BY PV
03	REVISE LEG EXTENSIONS	03-09-11	BY PV
02	UPDATE DETAILS	02-05-19	BY PV
REVISIONS			

MATERIAL: ALUMINUM FRAME
SIZE: CODE: 55-042
FINISH: -
COLOR: -

ALL DIMENSIONS IN INCHES. DO NOT SCALE DRAWING (2D DRAWING)
MODEL: 150
DATE (Y-M-D): 96-6-19

TOLERANCE.X	±.015
.XX	±.010
.XXX	±.005
FRACT. ±	±1/32
DRAWN BY: AJ /PV	APPROVED BY:

**BELCOR INDUSTRIES INC.**  
TITLE: **BEL 150 SEMI-AUTOMATIC T&B CASE TAPE SEALER**  
DWG No: **75-145** REV: **04**