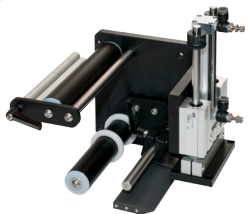


# 360a Label Applicator



The 360a Series Label Applicator evolved from the industry standard 360 Series Platform.



Tamp Module



Air Blow Module

**Setting Global Standards**  
*One Customer at a Time*

# 360a Label Applicator

## Features:

The 360a Series Label Applicator evolved from the industry standard 360 Series Platform. The 360a can be configured as a merge, blow-on or tamp-blow applicator, 5", 7.5" or 10" widths and each module can also be easily switched to the opposite hand with few or no change parts in a minimum amount of time. All units are stepper motor driven to include State-of-the-art electronics and a "Self-teaching" label sensor. File encryption of the 360a allows for easy "on-site" software revisions and upgrades.

## Stepper Motor

The 360 stepper drive uses a micro pulse driver for increased accuracy and performance, and is programmable to dispense labels at up to 3000 inches per minute.

## Control

The 360a features a combined power supply, amplifier and position controller to comprise a single drive package. The new single axis digital stepper / servo controller controls up to five tasks simultaneously plus management of variables with expanded I/O making this drive well-suited for the most demanding production applications. The 360a controller is also equipped with onboard I/O prewired to external connectors to accommodate the following:

<b>low label</b>	<b>single, double or triple lightstack</b>
<b>web break</b>	<b>encoder velocity compensation</b>
<b>loose loop control</b>	<b>product shape profiling</b>
<b>imprinting</b>	<b>zero downtime configuration</b>

Each machine is shipped preprogrammed and can have the additional hardware installed at a later date for simple "plug-n-play" operations. The electronic control assembly is packaged as a module and can be easily removed for repair or replacement, eliminating costly downtime and servicing.

## Operator Interface

The 6", 256 color, TFT touch screen operator interface provides a bold, bright, high contrast display with self-diagnostic platforms and multi-level intuitive set-up features.

## Electrical:

120 VAC, 50/60 Hertz, Single Phase, 5 amps.  
240 VAC available

## Air Consumption:

Up to 4 CFM at 60-90 psi.

## Labeling Speeds:

Programmable to 3000 inches per minute with secondary unwind and vacuum takeaway. Programmed with speed profiling ability.

## Product Sensing:

Retroreflective scanner provided as standard, other types available.

## Label Sizes:

	<b>Minimum</b>	<b>Maximum</b>
<b>Air Blow</b>	3/4" wide x 3/4" L	7.5" wide x 9" L
<b>Merge</b>	3/4" wide x 3/4" L	10" wide x 20" L
<b>Tamp</b>	3/4" wide x 3/4" L	10" wide x 10" L

## Label Roll Size:

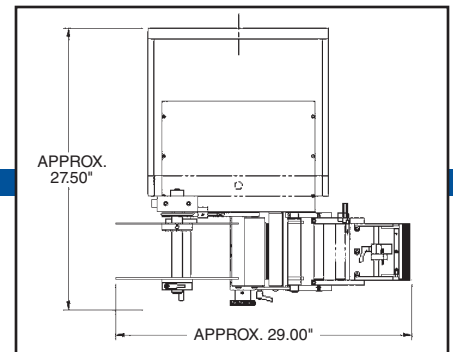
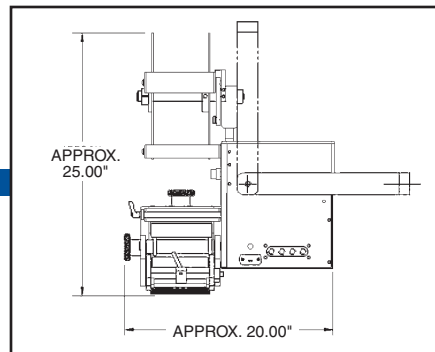
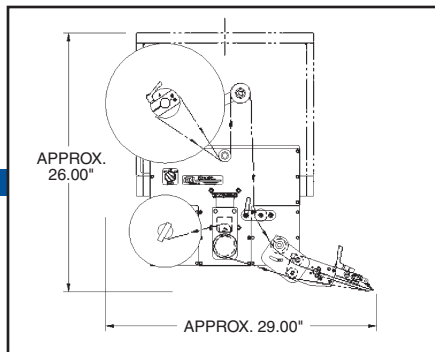
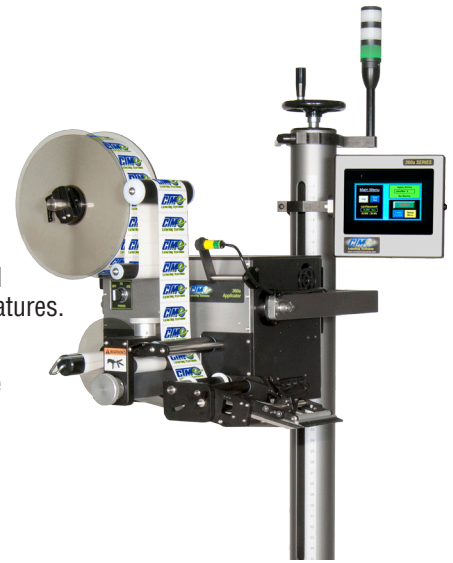
**Maximum** 12" OD x 3" ID core  
**Optional** 16" OD or 20" OD x 3" or 6" ID cores

## Label Placement:

+/- 1/32"

## Dimensions:

**Air Blow** 28" wide x 24" Tall x 27-1/2" Deep  
**Merge** 29" wide x 25" Tall x 27-1/2" Deep  
**Tamp** 28" wide x 22-1/2" Tall x 27-1/2" Deep



Distributed By:



6037 Century Oaks Drive  
Chattanooga, TN 37416  
(423) 629-6245  
sales@marshmicrosystems.com



www.marshmicrosystems.com