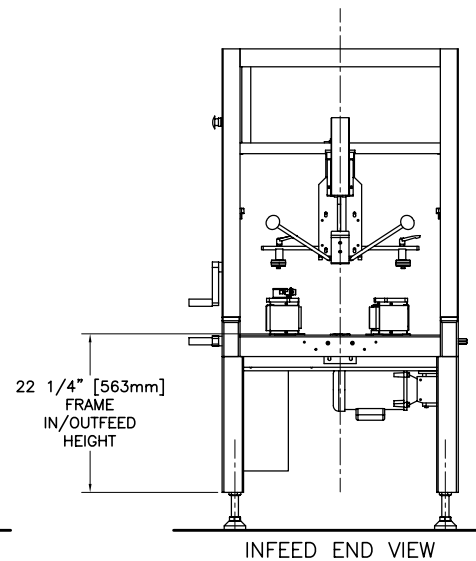
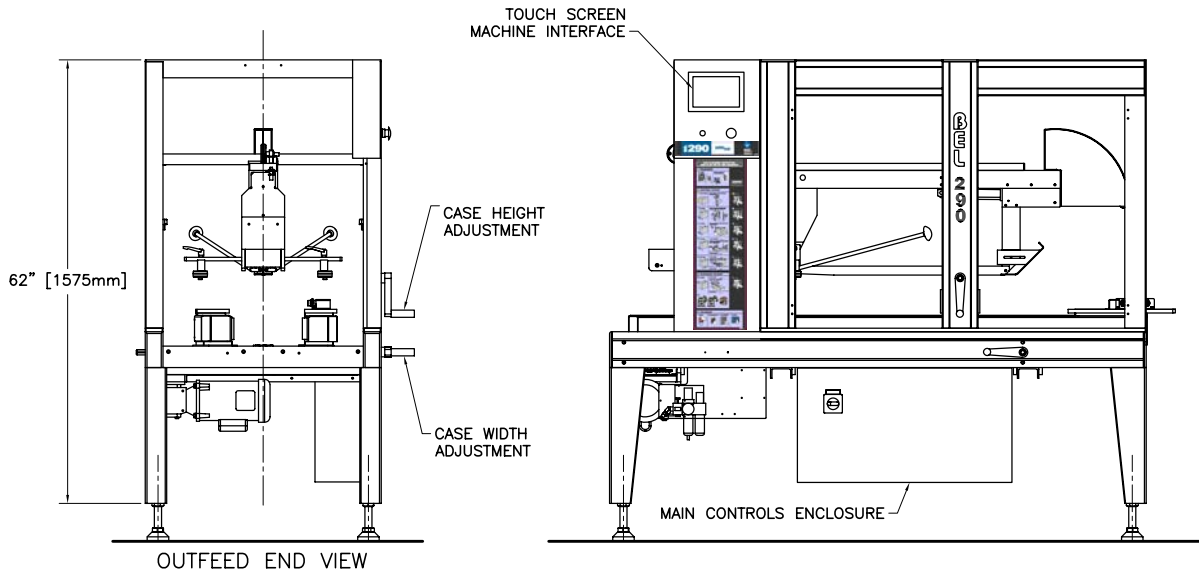
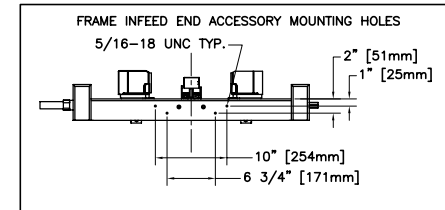


← PRODUCT FLOW



THE INFORMATION CONTAINED IN THIS DRAWING IS THE SOLE PROPERTY OF WEXXAR PACKAGING MACHINERY INC. - BELCOR INDUSTRIES DIVISION. ANY REPRODUCTION IN PART OR AS A WHOLE WITHOUT THE WRITTEN PERMISSION OF WEXXAR PACKAGING MACHINERY INC. - BELCOR INDUSTRIES DIVISION IS PROHIBITED.					BELCOR INDUSTRIES DIVISION WEXXAR PACKAGING MACHINERY INC.	
MATERIAL: ALUM. FRAME			ALL DIMENSIONS IN INCHES. DO NOT SCALE DRAWING (2D DRAWING)		TOLERANCE .X ±.015 .XX ±.010 .XXX ±.005 FRACT.: ±1/32	
SIZE: CODE: Z56-1390			MODEL: 290		DRAWN BY: PV	
FINISH: ANODIZED			COLOR: CLEAR		DATE (Y-M-D): 09-02-27	
APPROVED BY:			APPROVED BY:		DWG No: 75-776	
REV 02			REVISIONS		TITLE: BEL 290 FULLY-AUTOMATIC CASE TAPE SEALER	
DESCRIPTION			DATE		REV: 01	
BY			APPROVED		REV: 01	