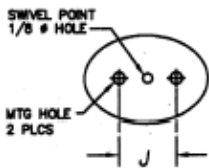


MODEL 66 & 616 SHOWN ABOVE FOR ILLUSTRATIVE PURPOSES

MACHINE MOUNTING DETAIL



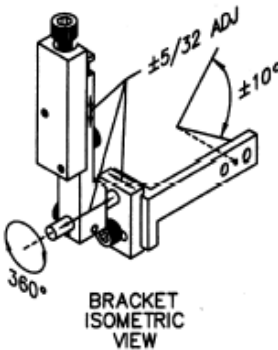
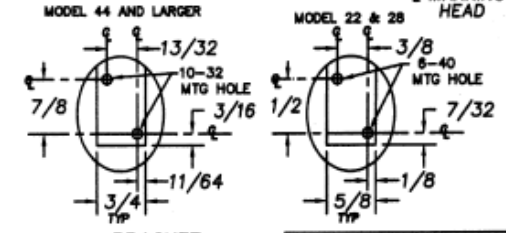
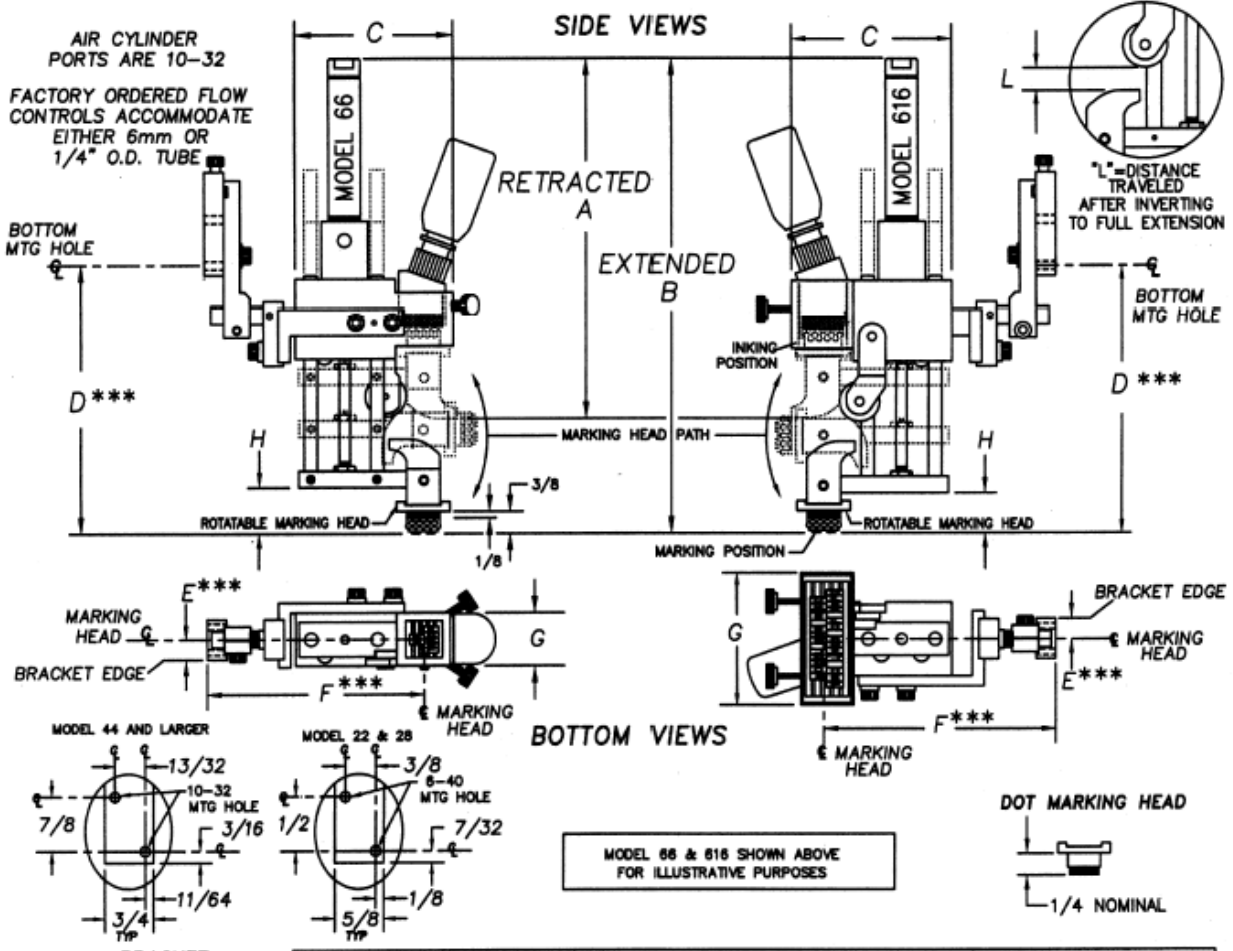
MODEL	DIM J	THREAD
22/28	11/16"	6-40
44	3/4"	10-32
66/88/1010	11/16"	10-32
416/616/816	11/16"	10-32

DIMENSIONAL CHARACTERISTICS (IN INCHES)									
MODEL	22	28	44	66	88	1010	416	616	816
LINES OF TYPE*	DOT MARKER	1	1	2	3	4	1	2	3
DIM.									
A	4-9/16	4-9/16	6-1/4	7-3/8	7-3/8	7-3/8	7-3/8	7-3/8	7-3/8
B	6	6 **	8-3/8**	9-3/8	9-3/8	9-3/8	8-3/8**	9-3/8	9-3/8
C	2	2	2-3/8	3	3-5/16	3-9/16	2-3/8	3	3-3/8
D	2-11/16	2-11/16**	3-7/8**	4	4	4	3-7/8**	4	4
E	5/16	11/32	3/8	1/2	11/16	13/16	7/16	11/16	13/16
F	1	1-11/32	1-5/32	1-1/4	1-3/8	1-1/2	1-3/8	1-1/2	1-5/8
G	5/8	1-3/8	3/4	1	1-3/8	1-5/8	2-1/2	2-1/2	2-1/2
H	9/16	9/16**	11/16**	13/16	13/16	13/16	11/16**	13/16	13/16
K	23/32	23/32**	27/32**	31/32	31/32	31/32	27/32**	31/32	31/32
L	5/32	5/32	1/2	1/2	1/2	1/2	1/2	1/2	1/2
M	9/16	1/4	11/16	1-5/32	1-5/32	1-5/32	17/32	7/8	7/8

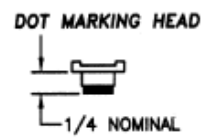
NOTE: ALL DIMENSIONS ARE NOMINAL AND SUBJECT TO STANDARD MANUFACTURING/ASSEMBLY TOLERANCES
 * ASSUMES TWO TIE KNOTS RUBBER TYPE UP TO 3/16" CHARACTER HEIGHT
 ** ASSUMES TYPE HOLDER / TYPE USED (NO RUBBER CUSHION)

NOTE: DUE TO WIDE WIDTH OF MODELS 416, 616, AND 816, MACHINES SHOULD BE ORDERED WITH RELATIVE POSITIONING BRACKET FOR LEFT-TO-RIGHT ADJUSTABILITY. MOUNTING THOSE MODELS WITHOUT THIS ADJUSTABILITY IS NOT RECOMMENDED.

MOUNTING WITH RECOMMENDED RELATIVE POSITIONING BRACKET



MODEL 66 & 616 SHOWN ABOVE FOR ILLUSTRATIVE PURPOSES



DIMENSIONAL CHARACTERISTICS (IN INCHES)									
MODEL	22	28	44	66	88	1010	416	616	816
LINES OF TYPE *	DOT MARKER	1	1	2	3	4	1	2	3
DIM.									
A	4-9/16	4-9/16	6-1/4	7-3/8	7-3/8	7-3/8	6-1/4	7-3/8	7-3/8
B	6	6 **	8-3/8 **	9-3/8	9-3/8	9-3/8	8-1/2 **	9-3/8	9-3/8
C	2	2	2-3/8	3	3-5/16	3-9/16	2-3/8	3	3-3/8
D	3-9/16	3-9/16 **	5 **	5	5	5	5 **	5	5
E	5/16	5/16	3/8	3/8	3/8	3/8	3/8	3/8	3/8
F	3	3	3-5/8	4-1/16	4-3/16	4-5/16	3-7/8	4-5/16	4-7/16
G	5/8	1-3/8	3/4	1	1-3/8	1-5/8	2-1/2	2-1/2	2-1/2
H	9/16	9/16 **	11/16 **	13/16	13/16	13/16	11/16 **	13/16	13/16
L	5/32	5/32	1/2	1/2	1/2	1/2	1/2	1/2	1/2

NOTE: ALL DIMENSIONS ARE NOMINAL AND SUBJECT TO STANDARD MANUFACTURING/ASSEMBLY TOLERANCES
 * TWO TIE KNOTS RUBBER TYPE
 ** ASSUMES TYPE HOLDER / TYPE USED (NO RUBBER CUSHION)
 *** DIMENSION IS NOMINAL TO CENTER OF ADJUSTMENT RANGE FOR EACH AXIS